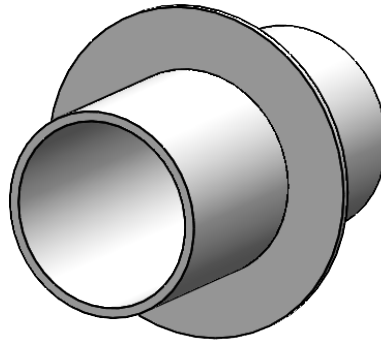
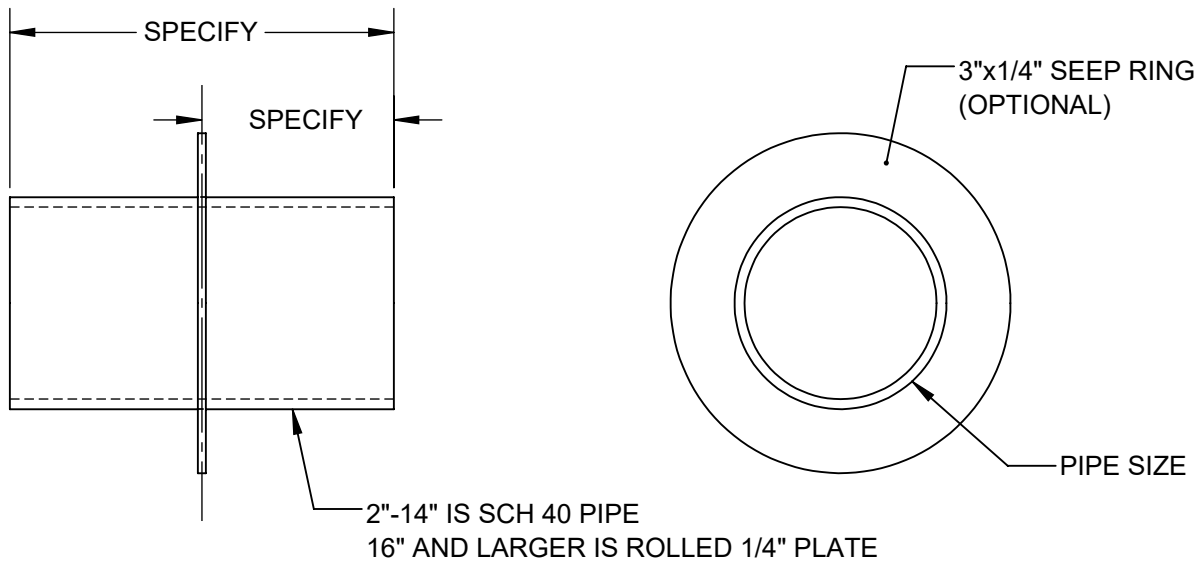




WS

WALL / FLOOR SLEEVE w/ 3"x1/4" SEEP RING



Size Range: 2" - 60"

Material: A36 Carbon Steel, 304 & 316 Stainless Steel

Finish: Bare, Epoxy Primed, Galvanized

Service: Provides a wall penetration for a pipe to pass through

Ordering: Specify Sleeve Diameter, Length, Seep Ring location, Material/Finish.

Ordering Example: *WS-6x12-SRC-HDG (Seep Ring Centered)*