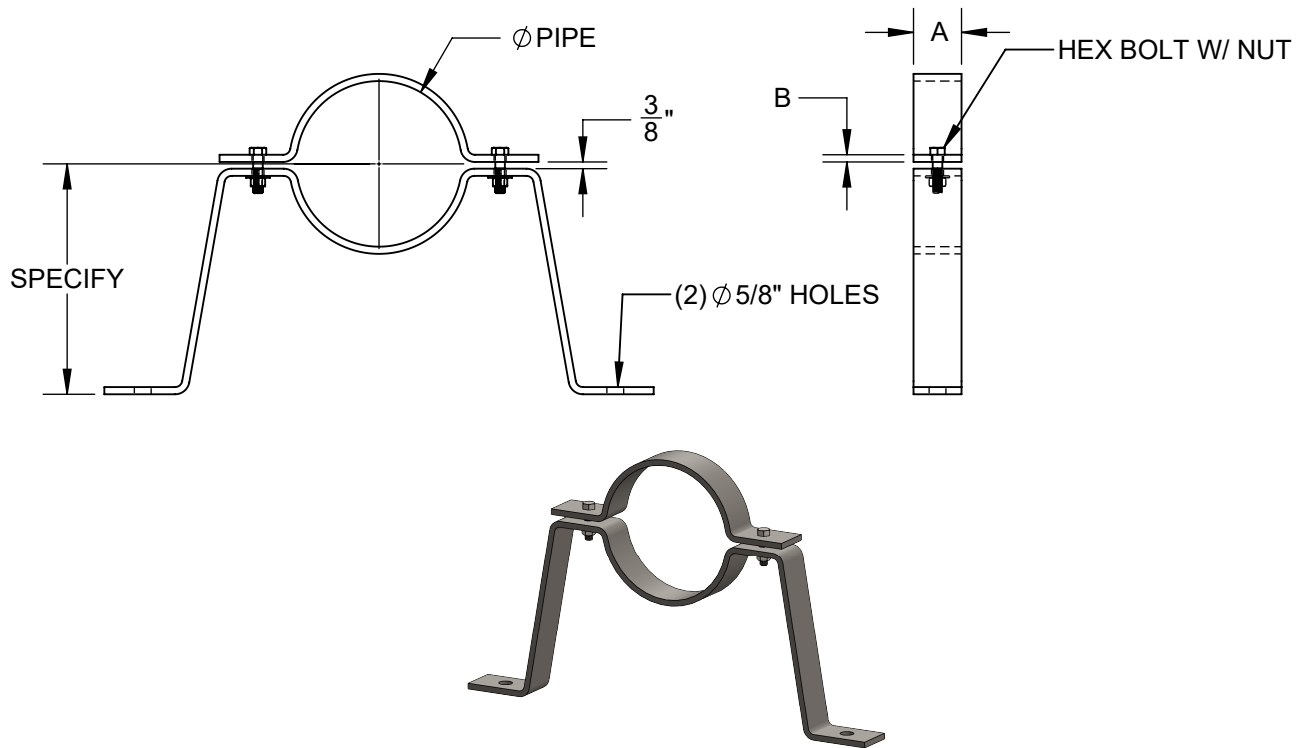




OPC

STANDARD OFFSET PIPE CLAMP FOR PIPE 3" - 36"



Part #	(A) Width	(B) Thickness	Hardware
OPC-3	2"	0.188"	3/8"-16
OPC-4	2"	0.188"	3/8"-16
OPC-6	2"	0.250"	3/8"-16
OPC-8	2.5"	0.375"	1/2"-13
OPC-10	2.5"	0.375"	1/2"-13
OPC-12	3"	0.375"	5/8"-11
OPC-14	3"	0.375"	5/8"-11
OPC-16	3"	0.375"	5/8"-11
OPC-18	3"	0.500"	5/8"-11
OPC-20	3"	0.500"	5/8"-11
OPC-24	3"	0.500"	3/4"-10
OPC-30	3"	0.500"	3/4"-10
OPC-36	3"	0.500"	3/4"-10

Size Range: 3" - 36" Pipe

Material: A36 Carbon Steel, 304 & 316 Stainless Steel

Finish: Bare, Epoxy Primed, Galvanized

Service: Provides vertical support for pipe, secured by a clamp

Ordering: Specify Pipe Size and Type or OD, Material/Finish.

Ordering Example: OPC-8IPS-12CL-316SS