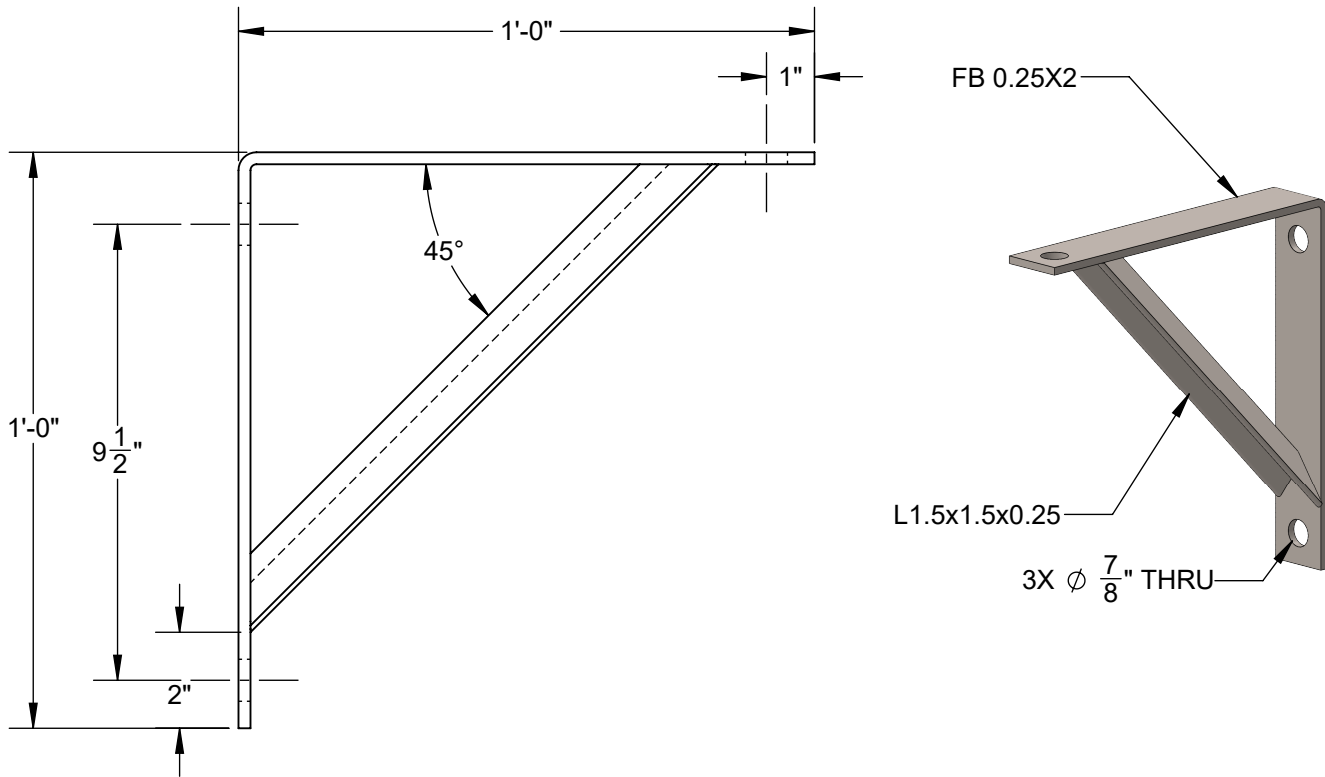




KBS-A

LIGHTWEIGHT KNEE BRACE SUPPORT



Material: A36 Carbon Steel, 304 & 316 Stainless Steel

Finish: Bare, Epoxy Primed, Galvanized

Service: Provides support hanging treaded rod

Approvals: Complies with ANSI MSS SP-69 Type 31

Ordering: Material/Finish.

Ordering Example: *KBS-A-HDG*