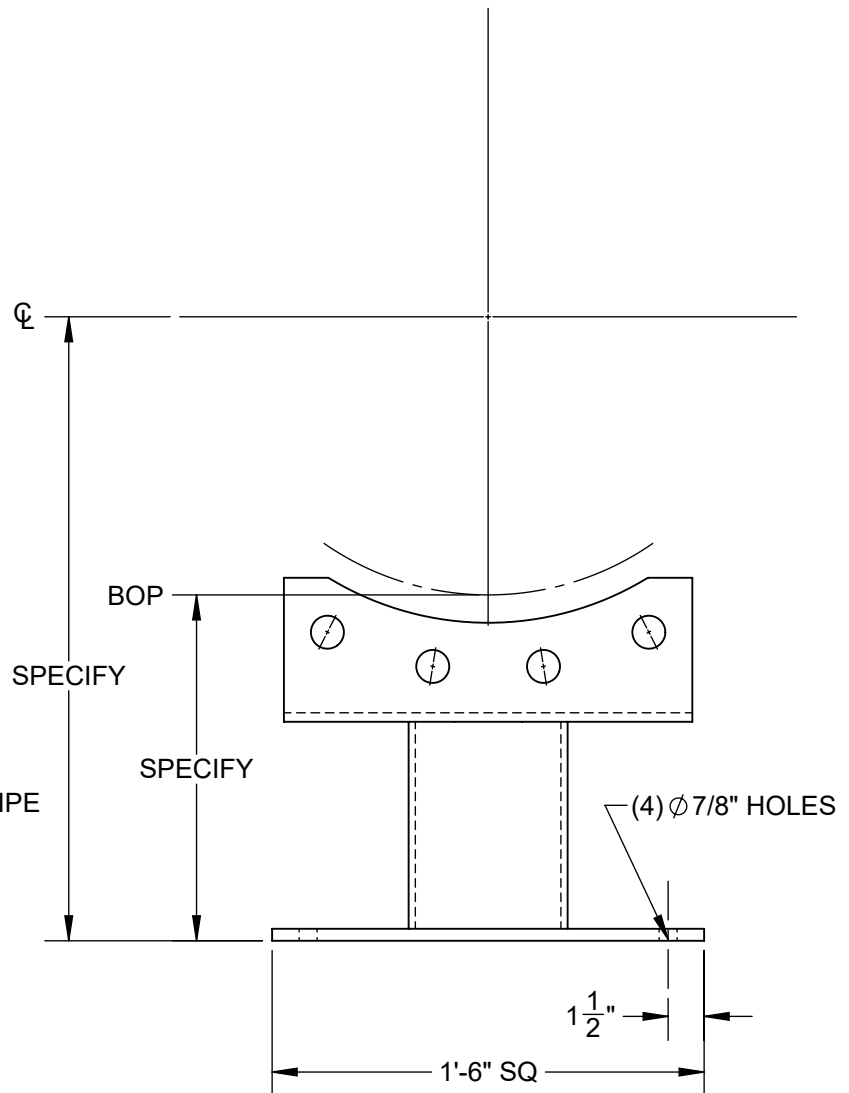
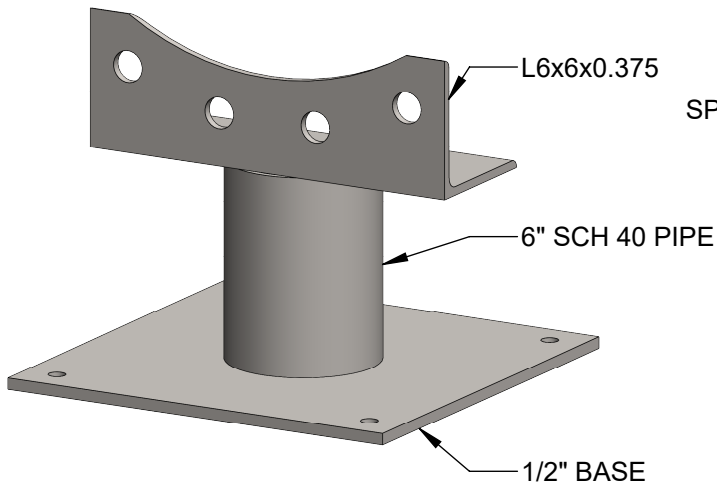




FPS-FLG-E

FIXED HEIGHT SUPPORT FOR 18" - 36" FLANGE



Size Range: 18" - 36" Pipe

Material: A36 Carbon Steel, 304 & 316 Stainless Steel

Finish: Bare, Epoxy Primed, Galvanized

Service: Provides horizontal support for flanges

Approvals: Complies with MSS SP-58

Ordering: Specify Pipe Size and Type or OD, Pipe Height to CL or BOP, Material/Finish.

Ordering Example: FPS-FLG-E18-28CL-HDG