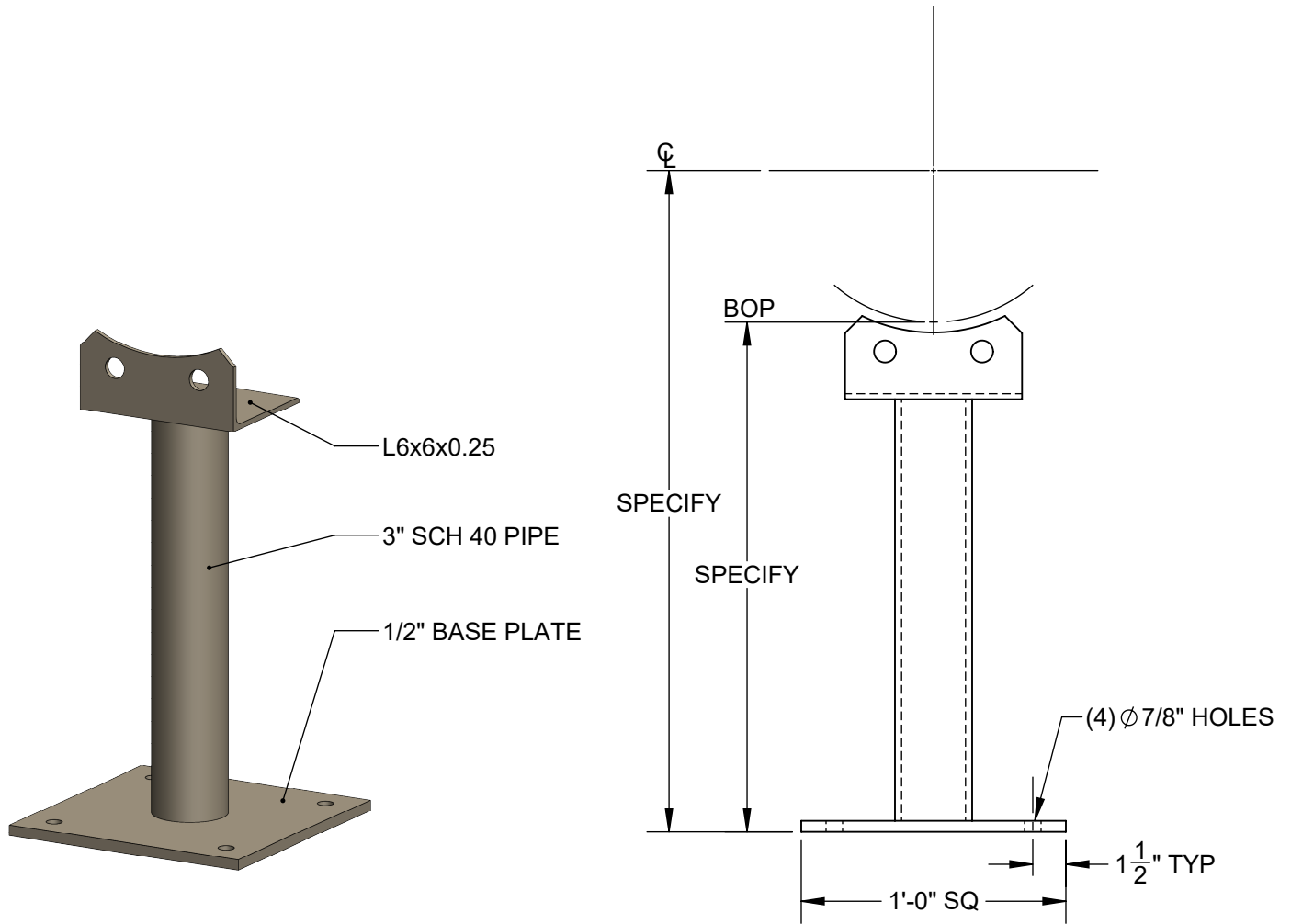




FPS-FLG-C

FIXED HEIGHT SUPPORT FOR 6" - 12" FLANGE



Size Range: 6" - 12" Pipe

Material: A36 Carbon Steel, 304 & 316 Stainless Steel

Finish: Bare, Epoxy Primed, Galvanized

Service: Provides horizontal support for pipe

Approvals: Complies with MSS SP-58 (Type 37)

Ordering: Specify Pipe Size and Type or OD, Pipe Height to CL or BOP, Material/Finish.

Ordering Example: FPS-SAD-C8DIP-28CL-HDG