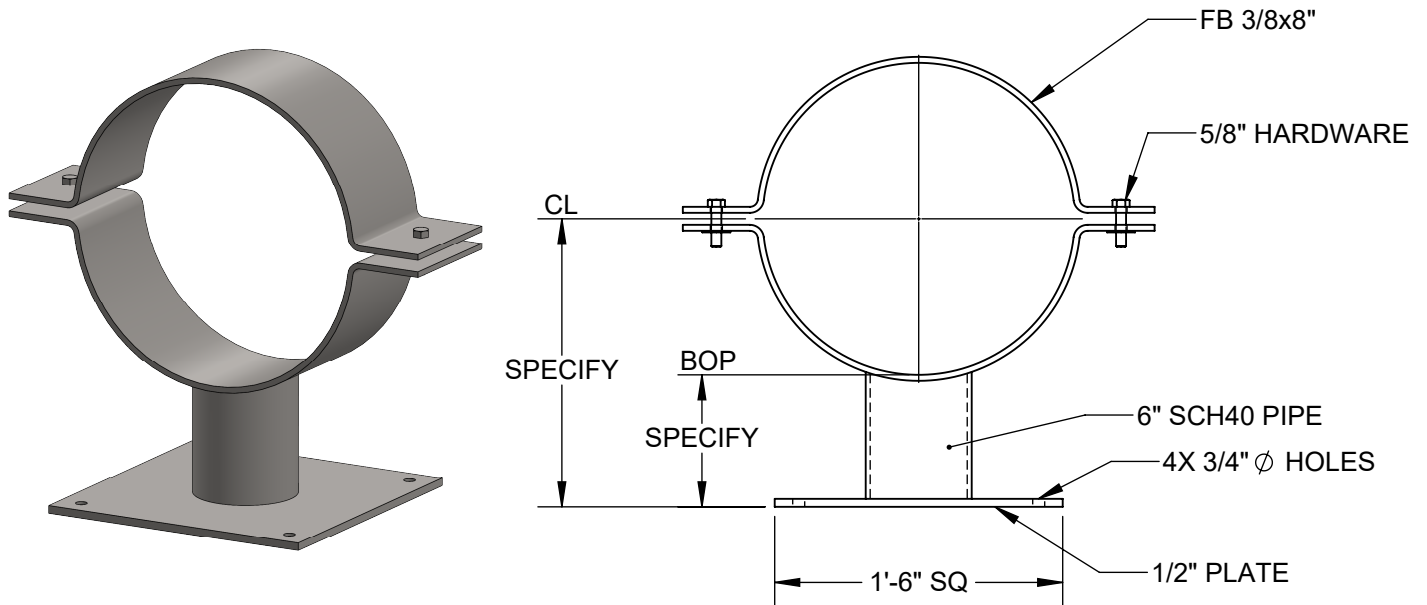




# FPS-CL-E

## FIXED HEIGHT CLAMP SUPPORT FOR 18" - 36" PIPE



**Size Range:** 18" - 36" Pipe

**Material:** A36 Carbon Steel, 304 & 316 Stainless Steel

**Finish:** Bare, Epoxy Primed, Galvanized

**Service:** Provides horizontal support for pipes

**Approvals:** Complies with MSS SP-58

**Ordering:** Specify Pipe Size and Type or OD, Pipe Height to CL or BOP, Material/Finish.

**Ordering Example:** FPS-CL-E18-28CL-HDG