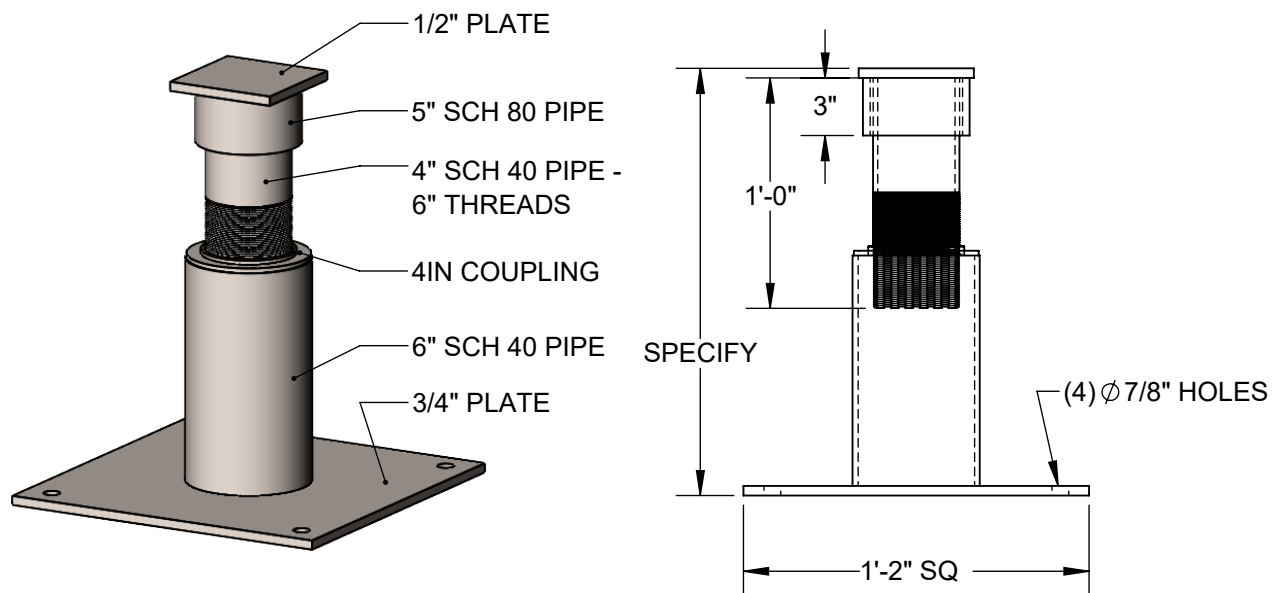




APS-VOP-E

ADJUSTABLE SUPPORT FOR VALVE OPERATOR



Size Range: 18" - 36" Valves

Material: A36 Carbon Steel, 304 & 316 Stainless Steel

Finish: Bare, Epoxy Primed, Galvanized

Service: Provides horizontal support for Valve Operator

Approvals: Complies with MSS SP-58 (Type 38)

Ordering: Specify Height, Material/Finish.

Ordering Example: APS-VOP-E-40-HDG