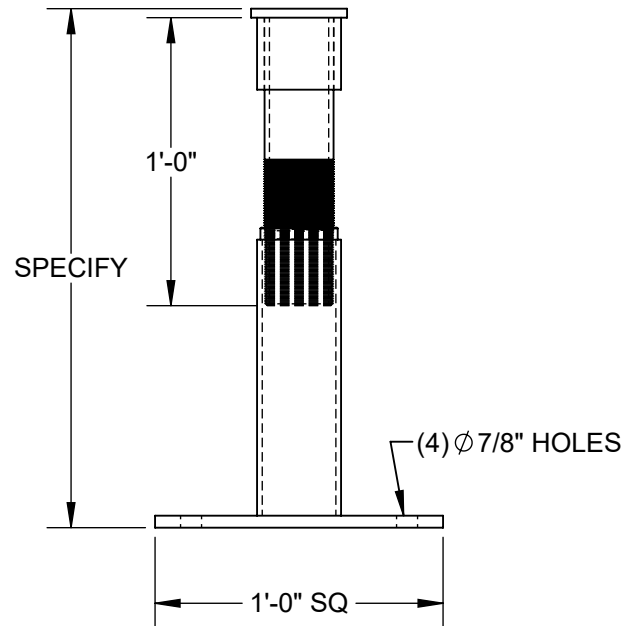
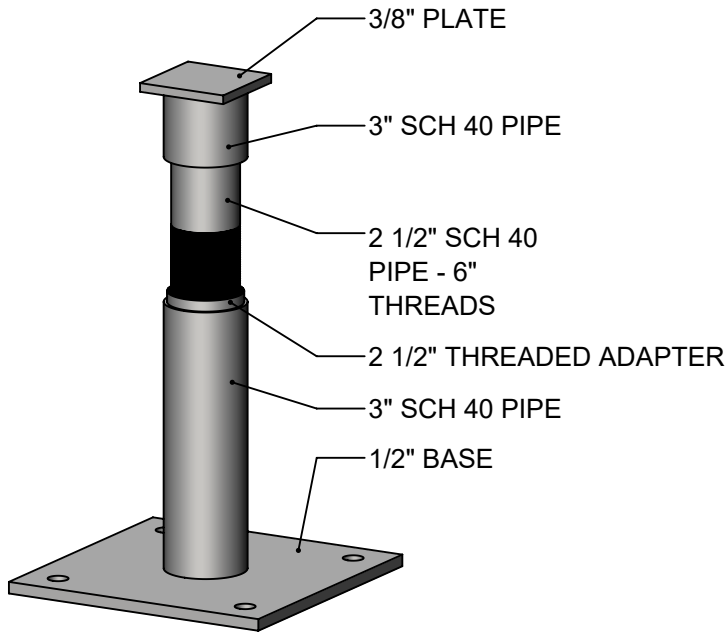




# APS-VOP-C

## ADJUSTABLE SUPPORT FOR VALVE OPERATOR



**Material:** A36 Carbon Steel, 304 & 316 Stainless Steel

**Finish:** Bare, Epoxy Primed, Galvanized

**Service:** Provides horizontal support for a valve operator (MAX Load: 3,800 lbs)

**Approvals:** Complies with MSS SP-58 (Type 37)

**Ordering:** Specify Height and Material/Finish.

**Ordering Example:** *APS-VOP-C-28-HDG*