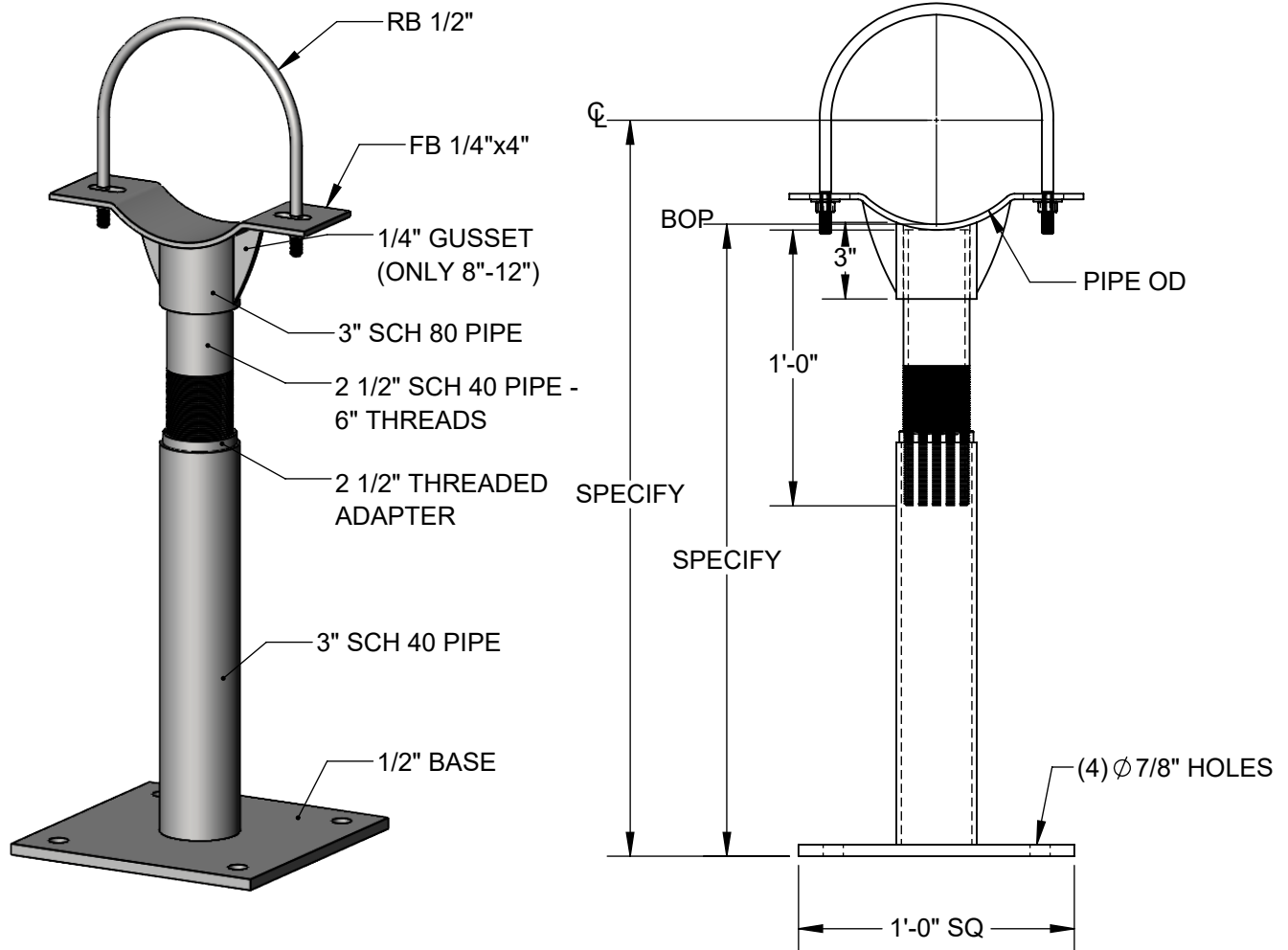




# APS-UB-C

## ADJUSTABLE U-BOLT SUPPORT FOR 6" - 12" PIPE



**Size Range:** 6" - 12" Pipe

**Material:** A36 Carbon Steel, 304 & 316 Stainless Steel

**Finish:** Bare, Epoxy Primed, Galvanized

**Service:** Provides horizontal support for pipe, secured with a U-bolt

**Approvals:** Complies with MSS SP-58 (Type 37)

**Ordering:** Specify Pipe Size and Type or OD, Pipe Height to CL or BOP, Material/Finish.

**Ordering Example:** APS-UB-C8DIP-32CL-316SS

**Load Capabilities (maximum):**

100% Vertical Load:	18,000 lbs
50% Vertical Load:	9000 lbs
Lateral Load:	750 lbs
Uplift Load:	98 lbs