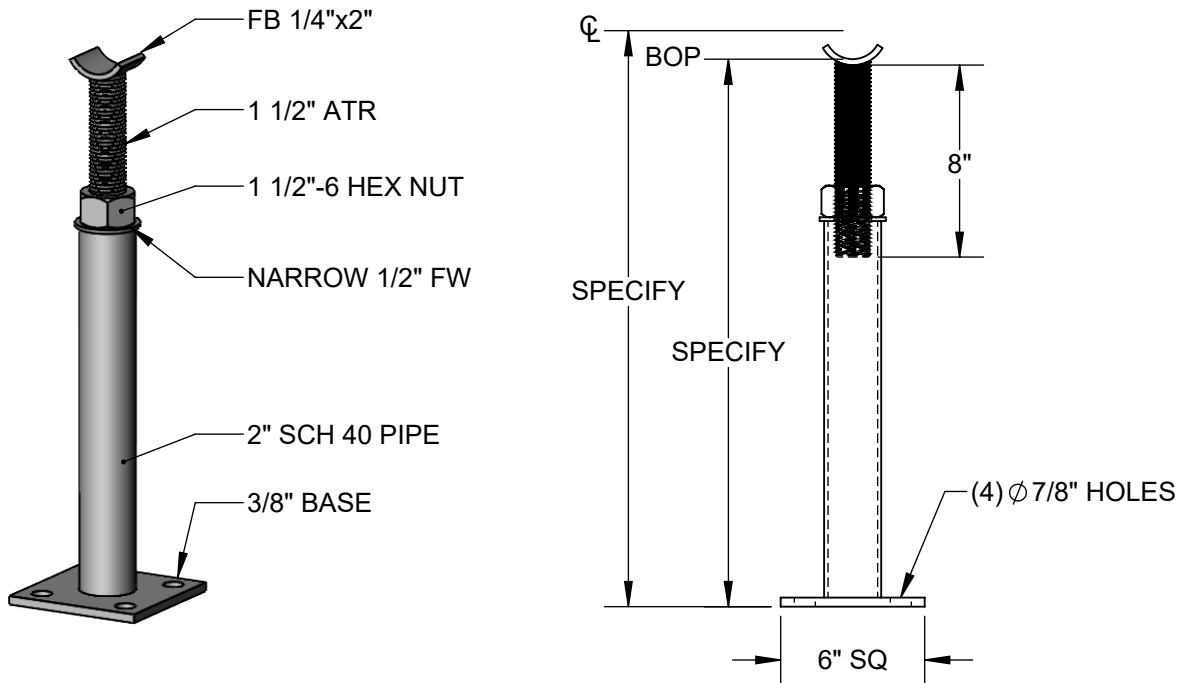




APS-TR-SAD-A

ADJUSTABLE SADDLE SUPPORT FOR 2"-12" PIPE



Size Range: 2" - 12" Pipe

Material: A36 Carbon Steel, 304 & 316 Stainless Steel

Finish: Bare, Epoxy Primed, Galvanized

Service: Provides horizontal support for pipe

Ordering: Specify Pipe Size and Type, Height to CL or BOP, Material/Finish.

Ordering Example: APS-TR-SAD-A2IPS-24-HDG