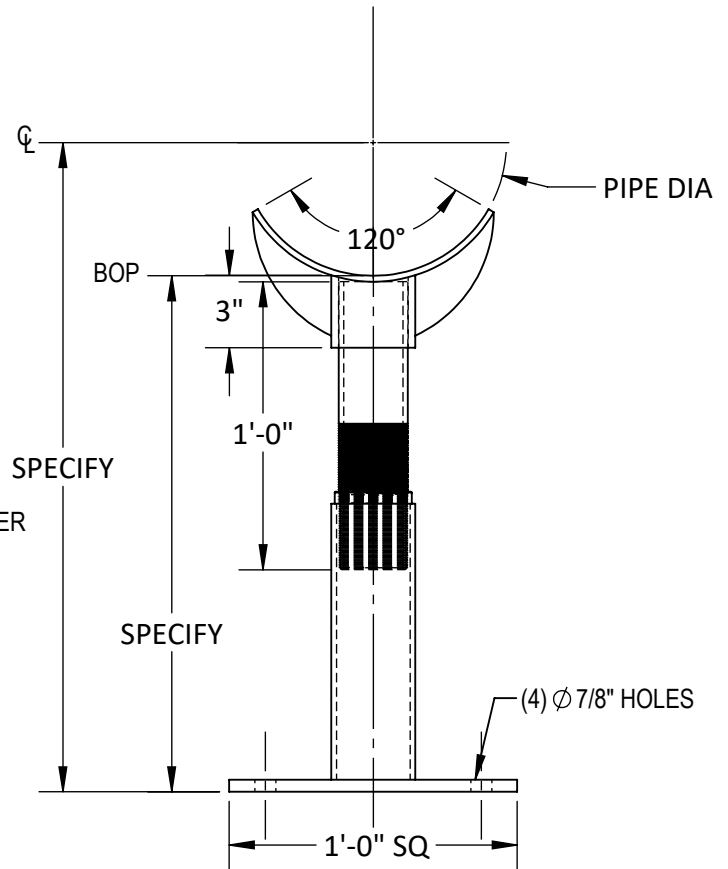
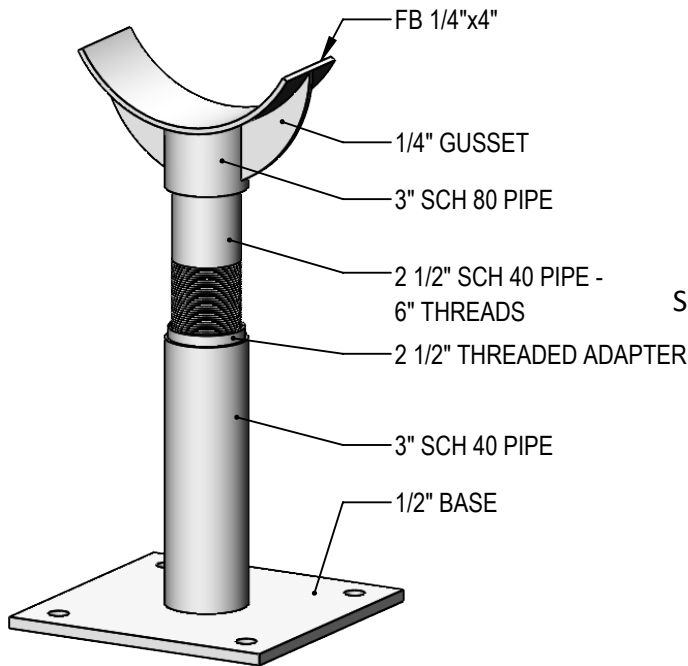




APS-SAD-C

ADJUSTABLE SADDLE SUPPORT FOR 6" - 12" PIPE



Size Range: 6" - 12" Pipe

Material: A36 Carbon Steel, 304 & 316 Stainless Steel **Finish:** Bare, Epoxy Primed, Galvanized

Service: Provides horizontal support for pipe

Approvals: Complies with MSS SP-58 (Type 37)

Ordering: Specify Pipe Size and Type or OD, Pipe Height to CL or BOP, Material/Finish.

Ordering Example: *APS-SAD-B12DIP-22CL-316SS*

Load Capabilities (maximum):

100% Vertical Load: 18,000 lbs