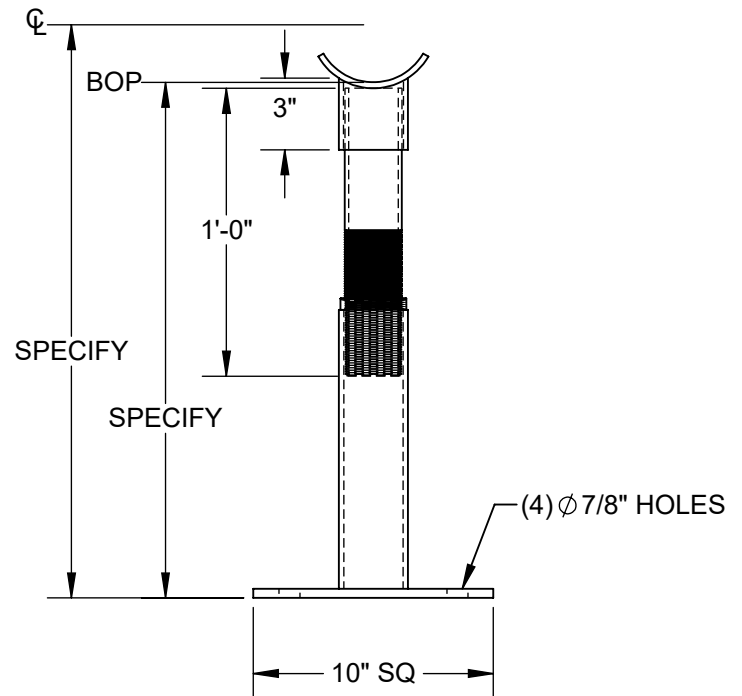
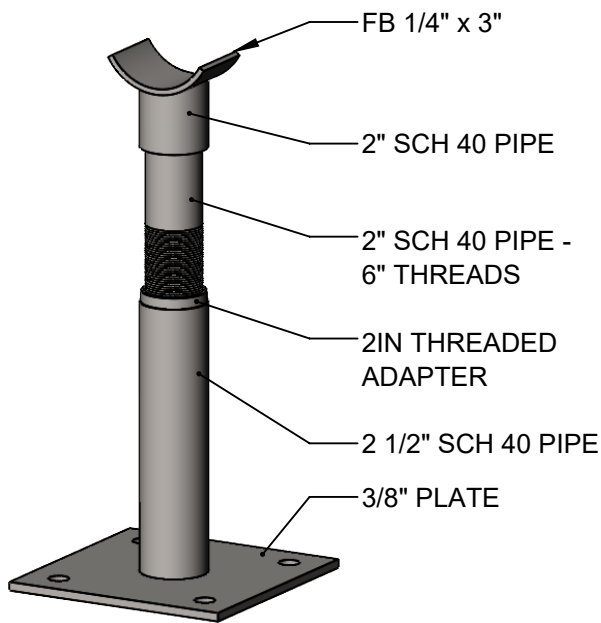




APS-SAD-B

ADJUSTABLE SADDLE SUPPORT FOR 2" - 4" PIPE



Size Range: 2" - 4" Pipe

Material: A36 Carbon Steel, 304 & 316 Stainless Steel

Finish: Bare, Epoxy Primed, Galvanized

Service: Provides horizontal support for pipe

Approvals: Complies with MSS SP-58 (Type 38)

Ordering: Specify Pipe Size and Type, Height to CL or BOP, Material/Finish.

Ordering Example: *APS-SAD-B4-24CL-HDG*