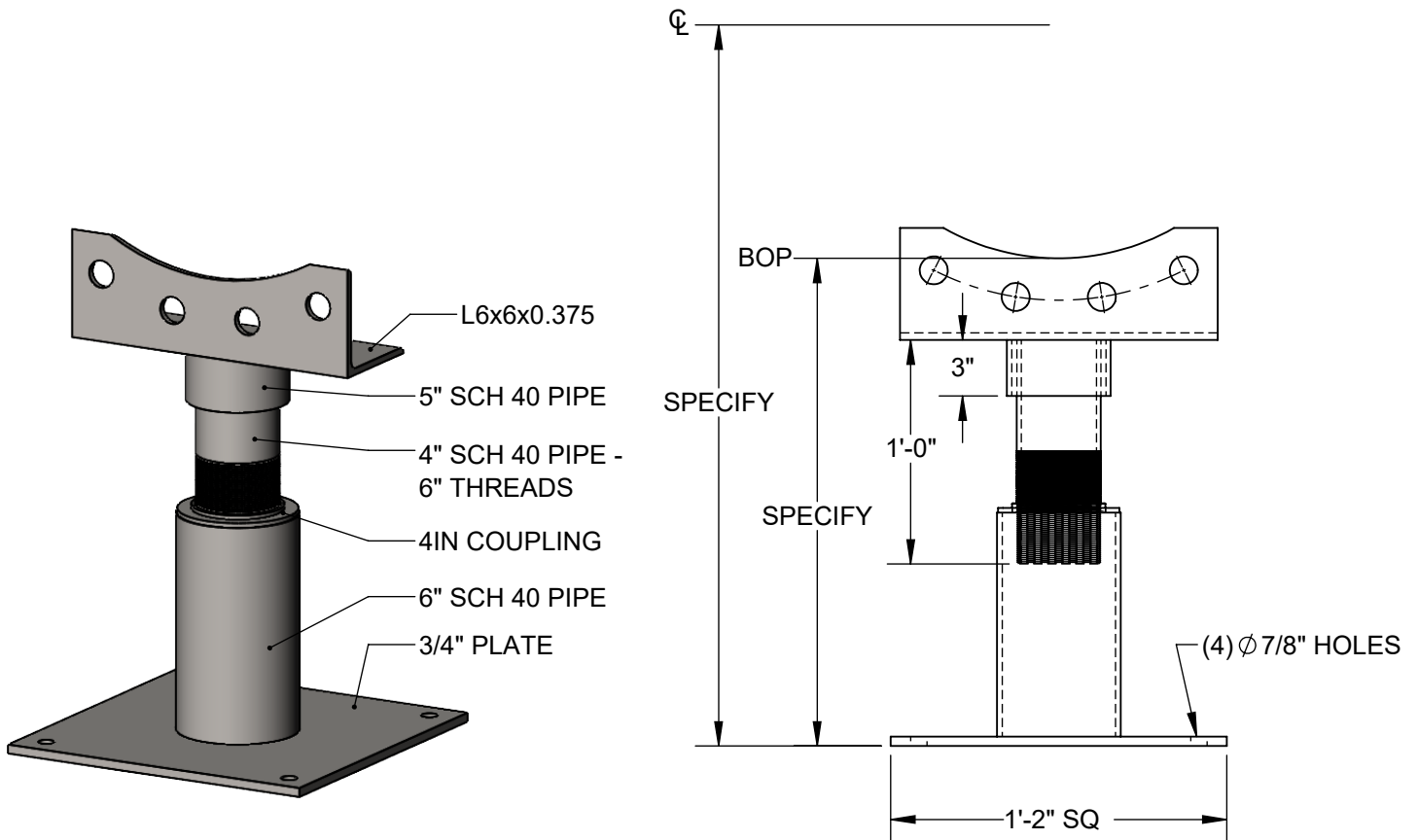




APS-FLG-E

ADJUSTABLE SUPPORT FOR 18" - 36" FLANGE



Size Range: 18" - 36" Flange

Material: A36 Carbon Steel, 304 & 316 Stainless Steel

Finish: Bare, Epoxy Primed, Galvanized

Service: Provides horizontal support for pipe, secured by flange bolts

Approvals: Complies with MSS SP-58 (Type 37)

Ordering: Specify Flange Size and Type, Pipe Height to CL or BOP, Material/Finish.

Ordering Example: APS-FLG-E24-36CL-HDG