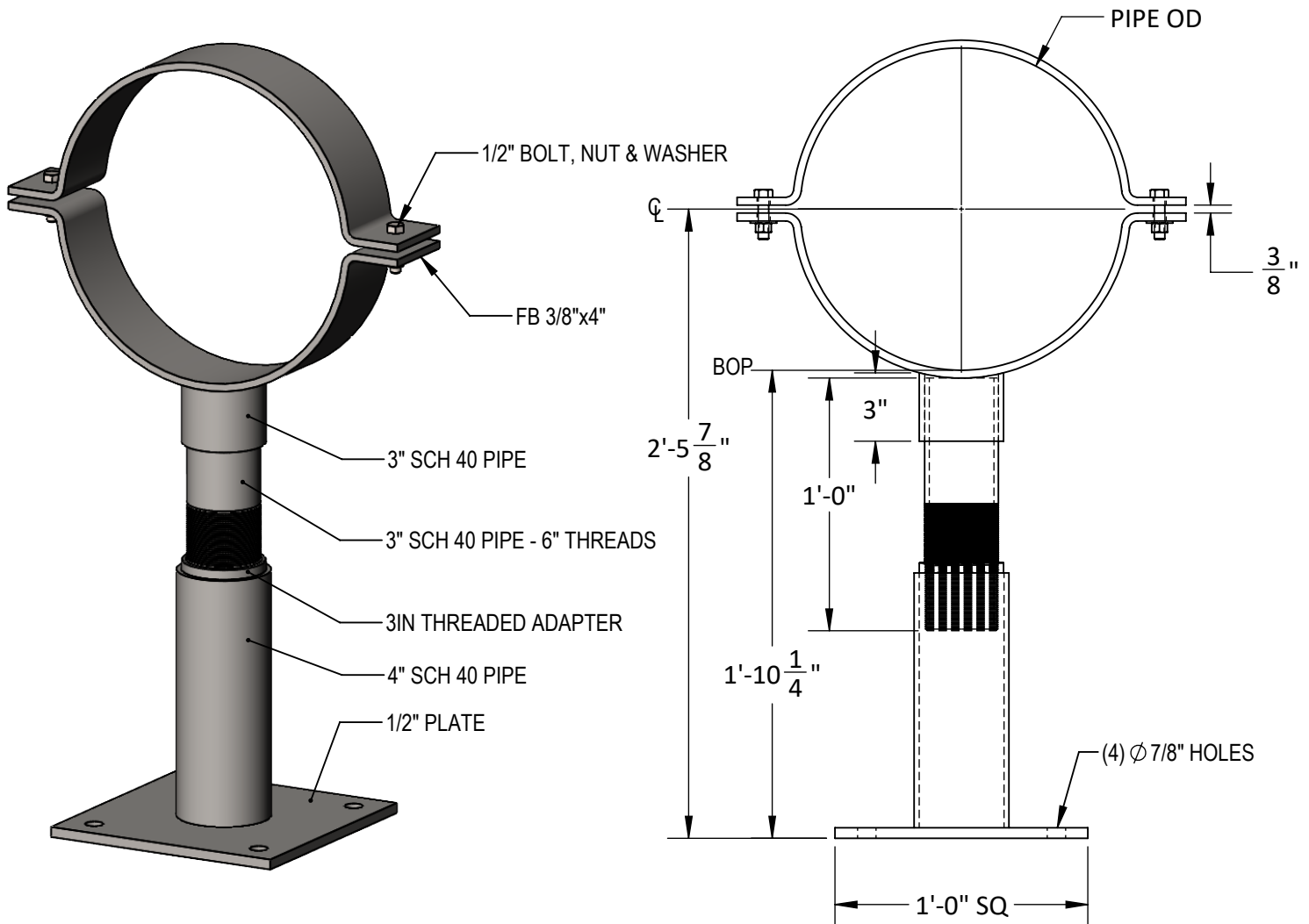




APS-CL-D

ADJUSTABLE CLAMP SUPPORT FOR 14" - 16" PIPE



Size Range: 14" - 16" Pipe

Material: A36 Carbon Steel, 304 & 316 Stainless Steel

Finish: Bare, Epoxy Primed, Galvanized

Service: Provides horizontal support for pipe, secured with a clamp

Approvals: Complies with MSS SP-58 (Type 37)

Ordering: Specify Pipe Size and Type or OD, Pipe Height to CL or BOP, Material/Finish.

Ordering Example: *APS-CL-D14IPS-24CL-HDG*