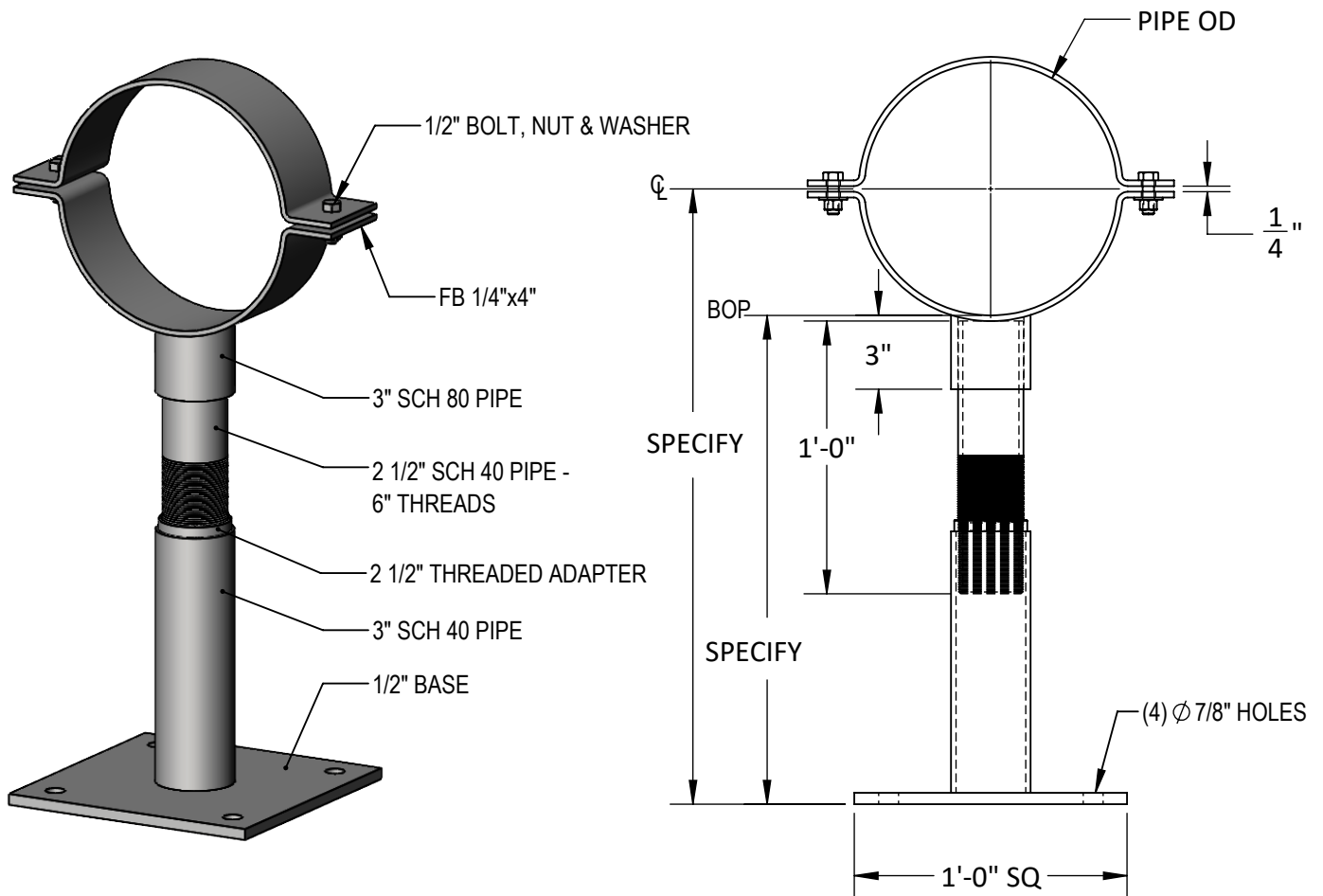




APS-CL-C

ADJUSTABLE CLAMP SUPPORT FOR 6" - 12" PIPE



Size Range: 6" - 12" Pipe

Material: A36 Carbon Steel, 304 & 316 Stainless Steel

Finish: Bare, Epoxy Primed, Galvanized

Service: Provides horizontal support for pipe, secured with a clamp

Approvals: Complies with MSS SP-58 (Type 37)

Ordering: Specify Pipe Size and Type or OD, Pipe Height to CL or BOP, Material/Finish.

Ordering Example: APS-CL-C8IPS-24CL-304SS