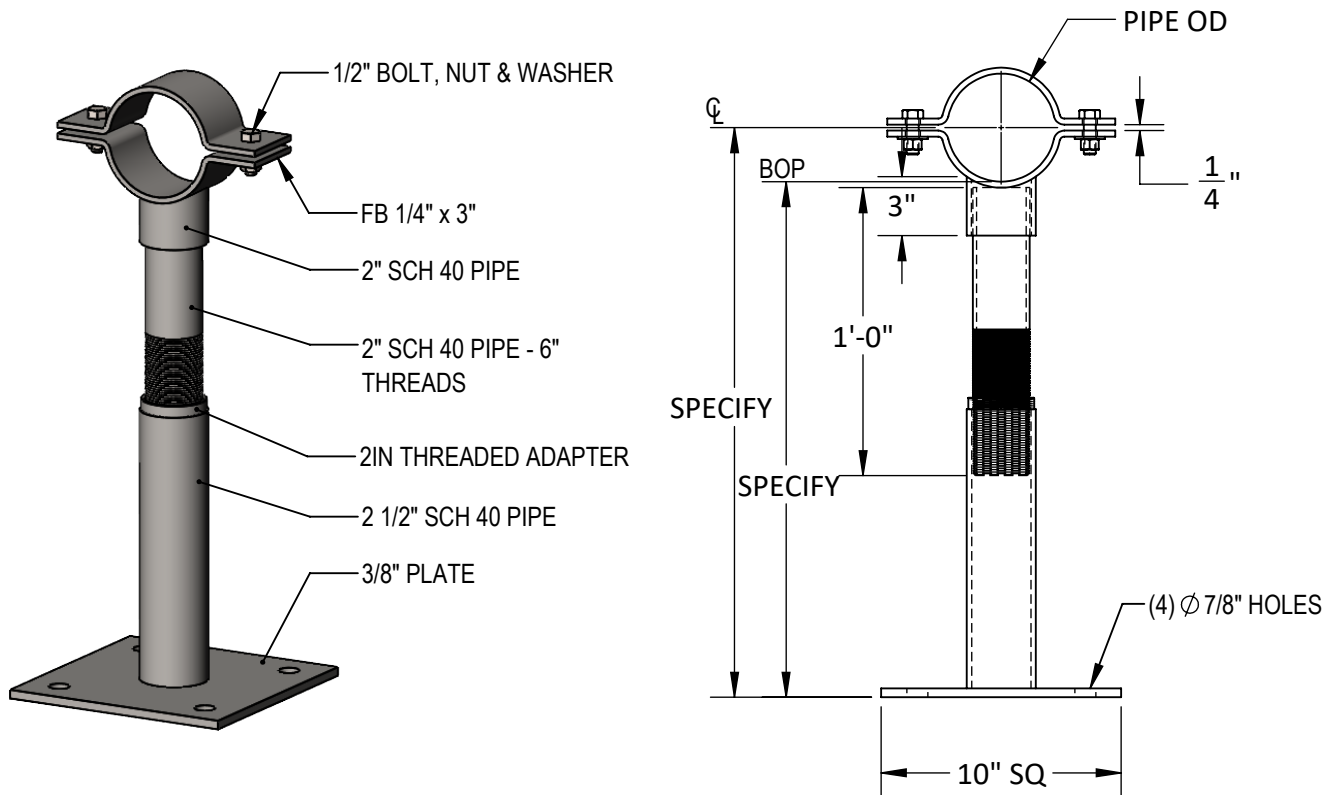




# APS-CL-B

## ADJUSTABLE CLAMP SUPPORT FOR 2 1/2" - 4" PIPE



**Size Range:** 2 1/2" - 4" Pipe

**Material:** A36 Carbon Steel, 304 & 316 Stainless Steel

**Finish:** Bare, Epoxy Primed, Galvanized

**Service:** Provides horizontal support for pipe, secured with a clamp

**Approvals:** Complies with MSS SP-58 (Type 37)

**Ordering:** Specify Pipe Size and Type or OD, Pipe Height to CL or BOP, Material/Finish.

**Ordering Example:** APS-CL-B3DIP-28BOP-HDG