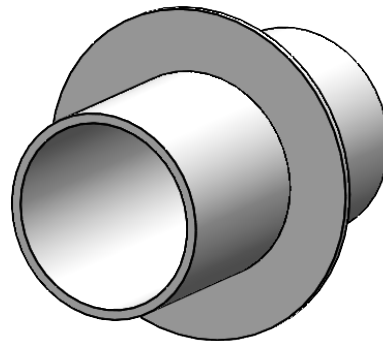
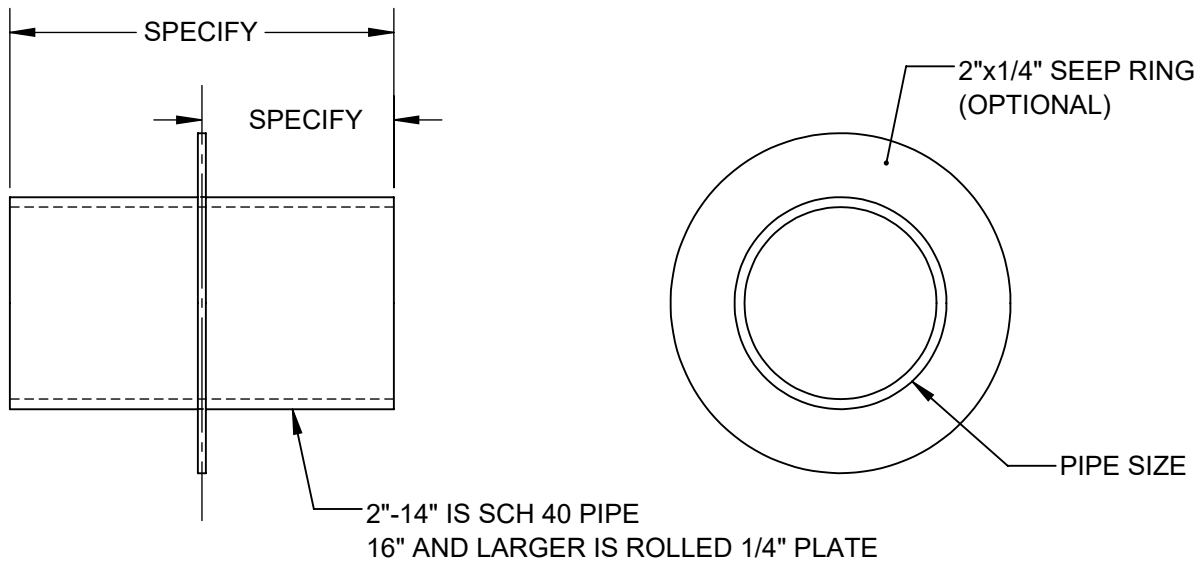




# WS

## WALL / FLOOR SLEEVE



**Size Range:** 2" - 60"

**Material:** A36 Carbon Steel, 304 & 316 Stainless Steel

**Finish:** Bare, Epoxy Primed, Galvanized

**Service:** Provides a wall penetration for a pipe to pass through

**Ordering:** Specify Sleeve Diameter, Length, Seep Ring location, Material/Finish.

**Ordering Example:** *WS-6x12-SRC-HDG (Seep Ring Centered)*