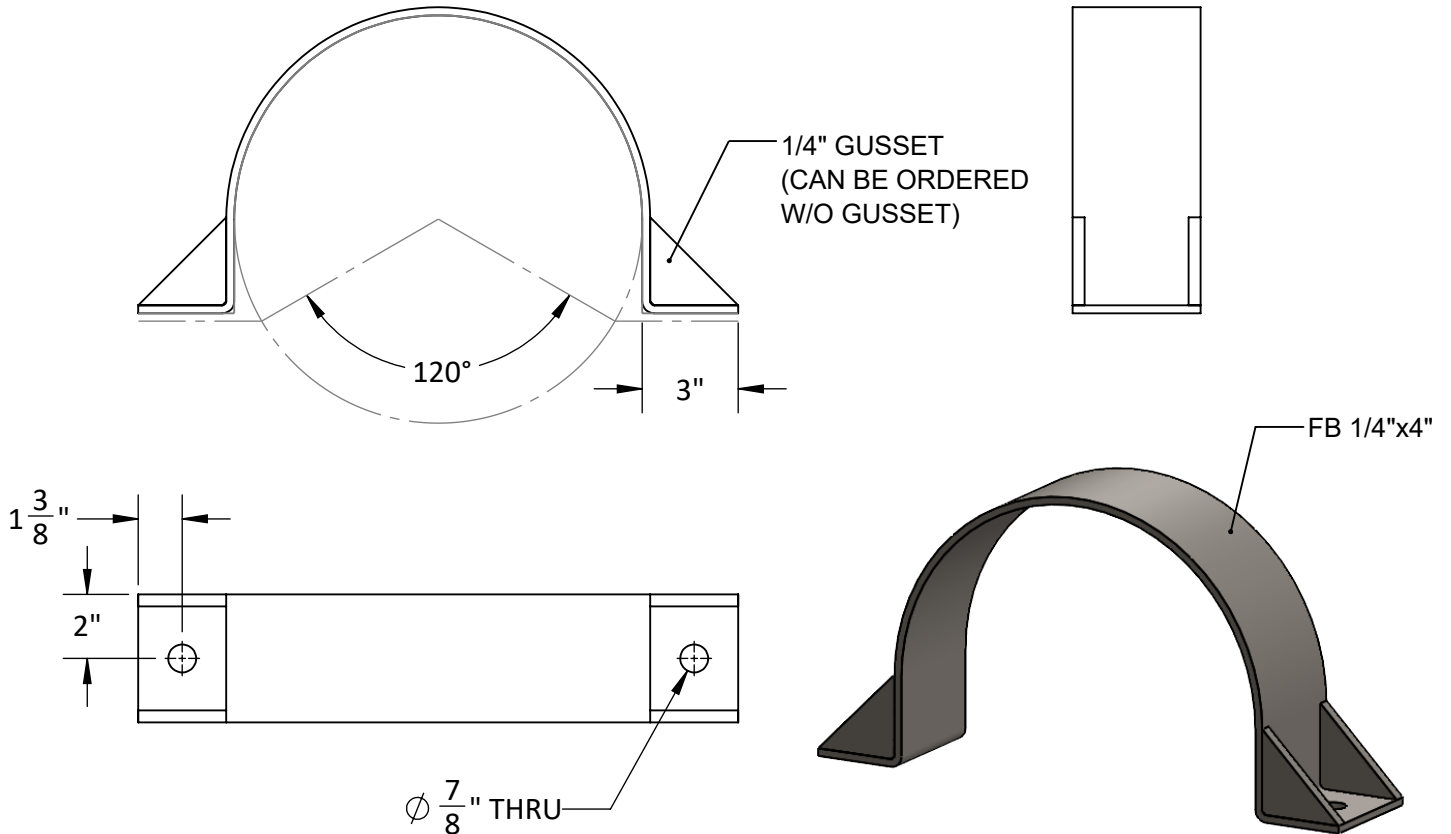




# PS-120

## PIPE STRAP FOR A PIPE IN A 120 DEGREE SADDLE



**Material:** A36 Carbon Steel, 304 & 316 Stainless Steel

**Finish:** Bare, Epoxy Primed, Galvanized

**Service:** Provides horizontal hold down for pipe

**Ordering:** Specify Pipe Size and Type or OD, Material/Finish.

**Ordering Example:** PS-120-8IPS-316SS