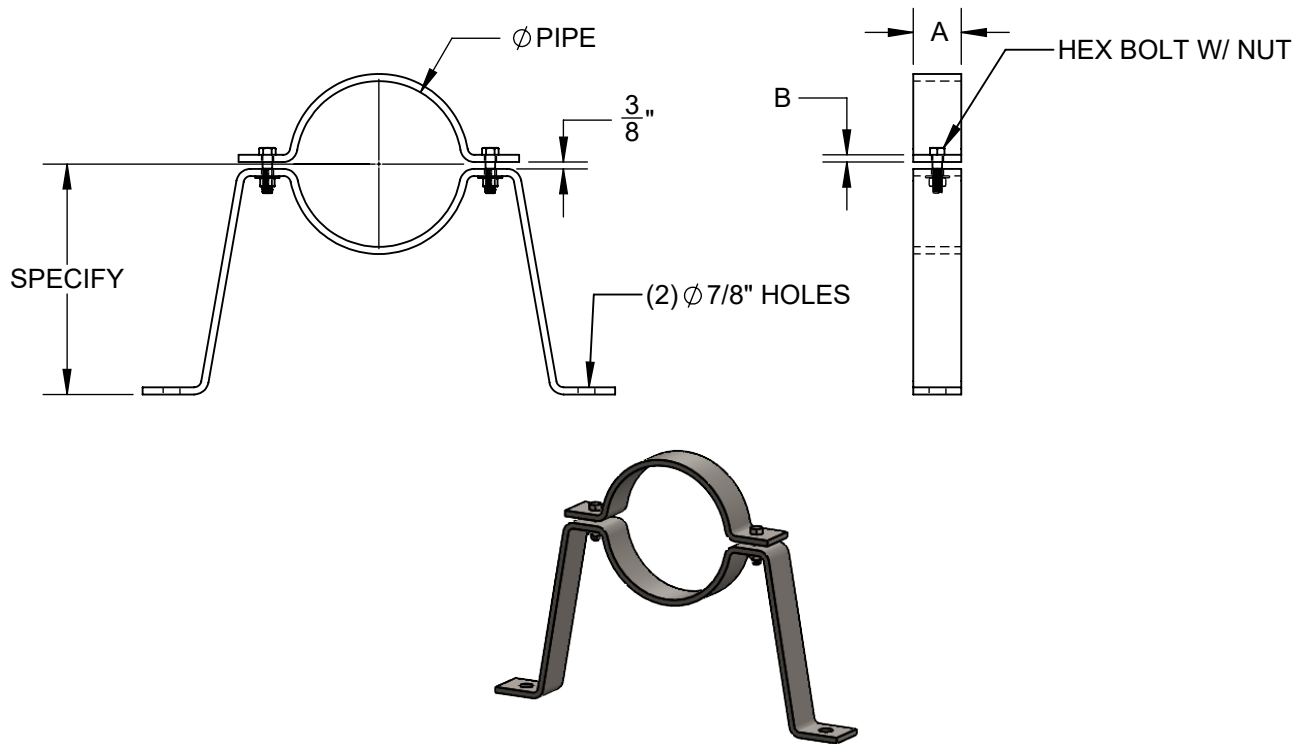




# OPC

## STANDARD OFFSET PIPE CLAMP FOR PIPE 3" - 36"



Part #	(A) Width	(B) Thickness	Hardware
RC-3	2"	0.188"	3/8"-16
RC-4	2"	0.188"	3/8"-16
RC-6	2"	0.250"	3/8"-16
RC-8	2.5"	0.375"	1/2"-13
RC-10	2.5"	0.375"	1/2"-13
RC-12	3"	0.375"	5/8"-11
RC-14	3"	0.375"	5/8"-11
RC-16	3"	0.375"	5/8"-11
RC-18	3"	0.500"	5/8"-11
RC-20	3"	0.500"	5/8"-11
RC-24	3"	0.500"	3/4"-10
RC-30	3"	0.500"	3/4"-10
RC-36	3"	0.500"	3/4"-10

**Size Range:** 3" - 36" Pipe

**Material:** A36 Carbon Steel, 304 & 316 Stainless Steel

**Finish:** Bare, Epoxy Primed, Galvanized

**Service:** Provides vertical support for pipe, secured by a clamp

**Ordering:** Specify Pipe Size and Type or OD, Material/Finish.

**Ordering Example:** OPC-8IPS-12CL-316SS