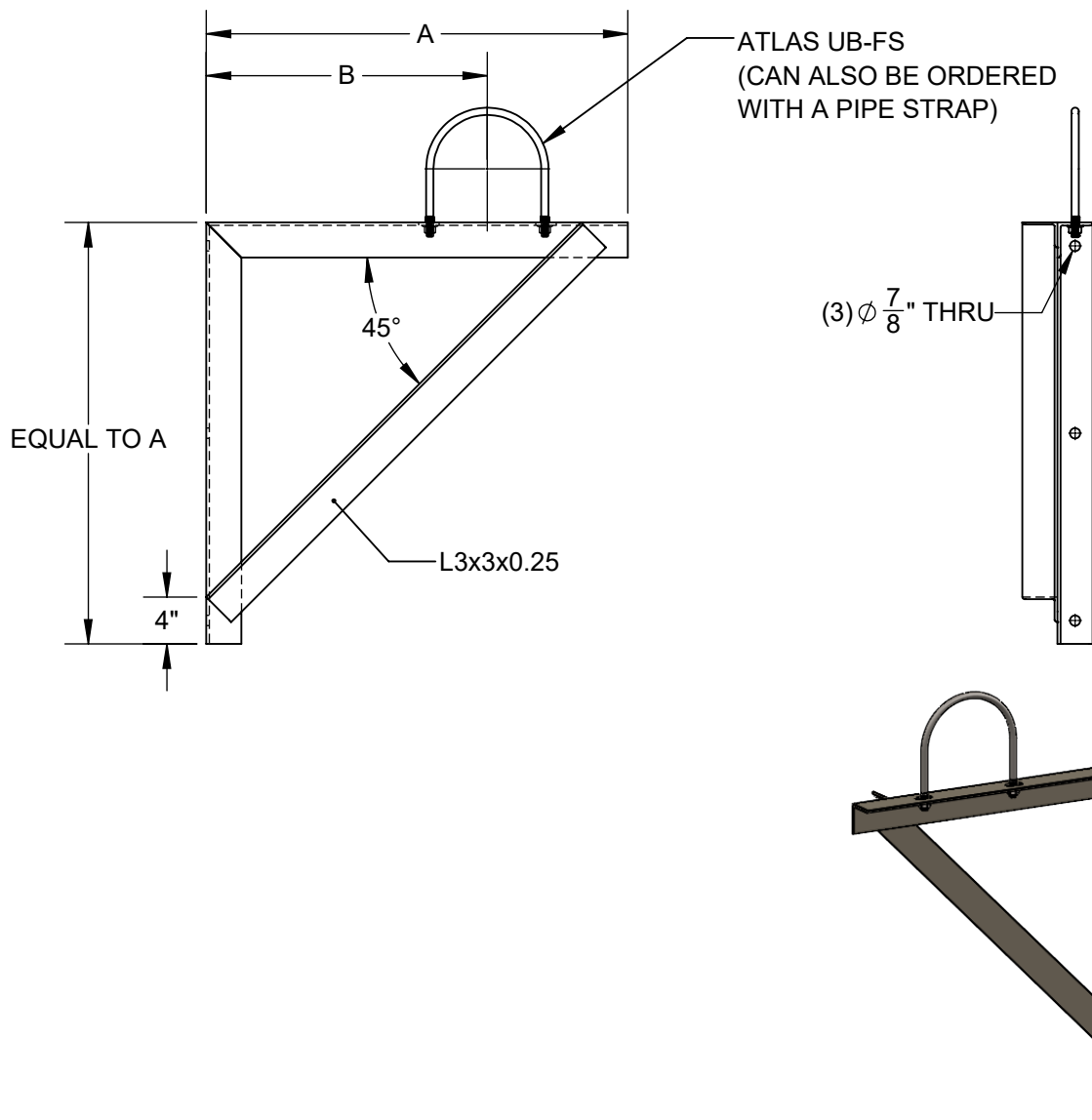




# KBS-H-C

## MIDWEIGHT KNEE BRACE SUPPORT FOR HORIZONTAL PIPE



**Material:** A36 Carbon Steel, 304 & 316 Stainless Steel

**Finish:** Bare, Epoxy Primed, Galvanized

**Service:** Provides support for horizontal pipe. U-bolt and hardware included

**Approvals:** Complies with ANSI MSS SP-69 Type 32

**Ordering:** Specify Pipe Size and Type, Dimensions A & B, Material/Finish.

**Ordering Example:** *KBS-H-C8DIP-24CL-HDG*