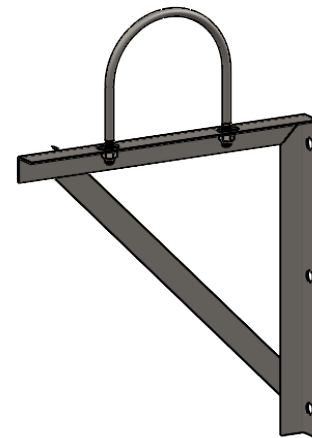
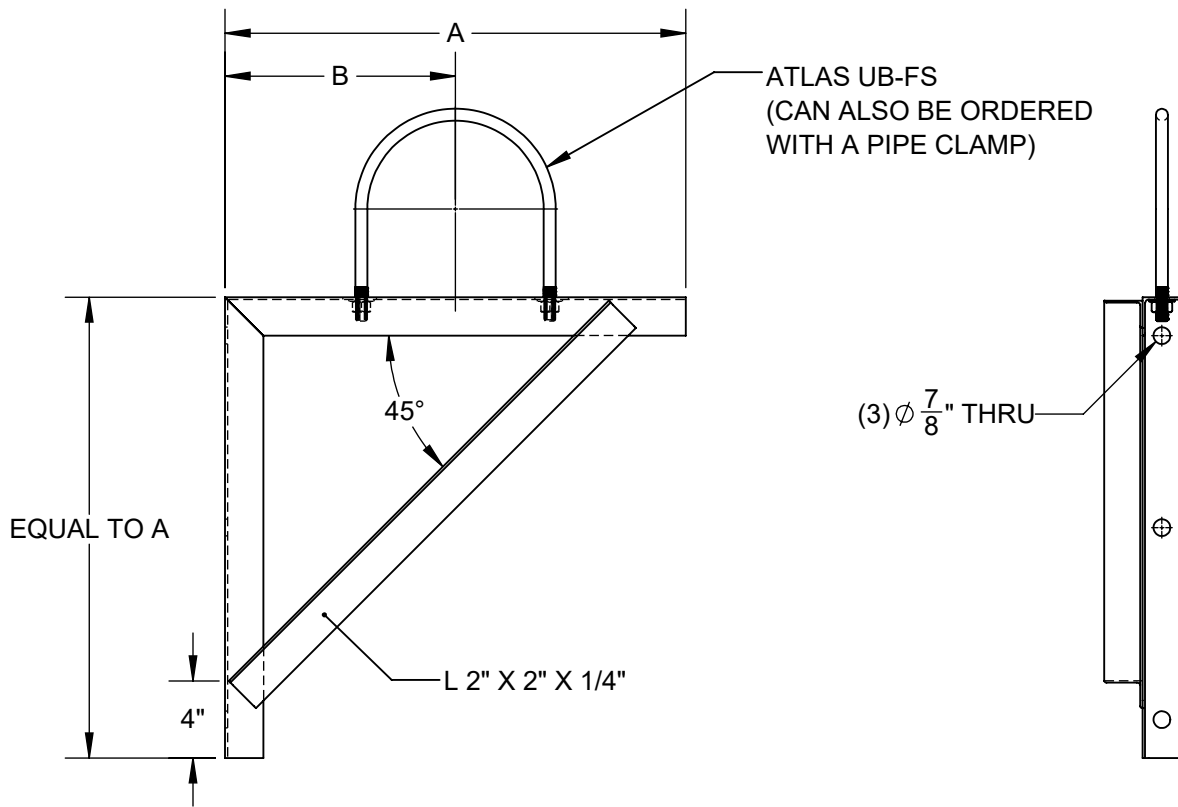




KBS-H-B

LIGHTWEIGHT KNEE BRACE SUPPORT FOR HORIZONTAL PIPE



Material: A36 Carbon Steel, 304 & 316 Stainless Steel

Finish: Bare, Epoxy Primed, Galvanized

Service: Provides support for horizontal pipe. U-bolt and hardware included

Approvals: Complies with ANSI MSS SP-69 Type 32

Ordering: Specify Pipe Size and Type, Dimensions A & B, Material/Finish.

Ordering Example: *KBS-H-B8DIP-A24-B12-HDG*