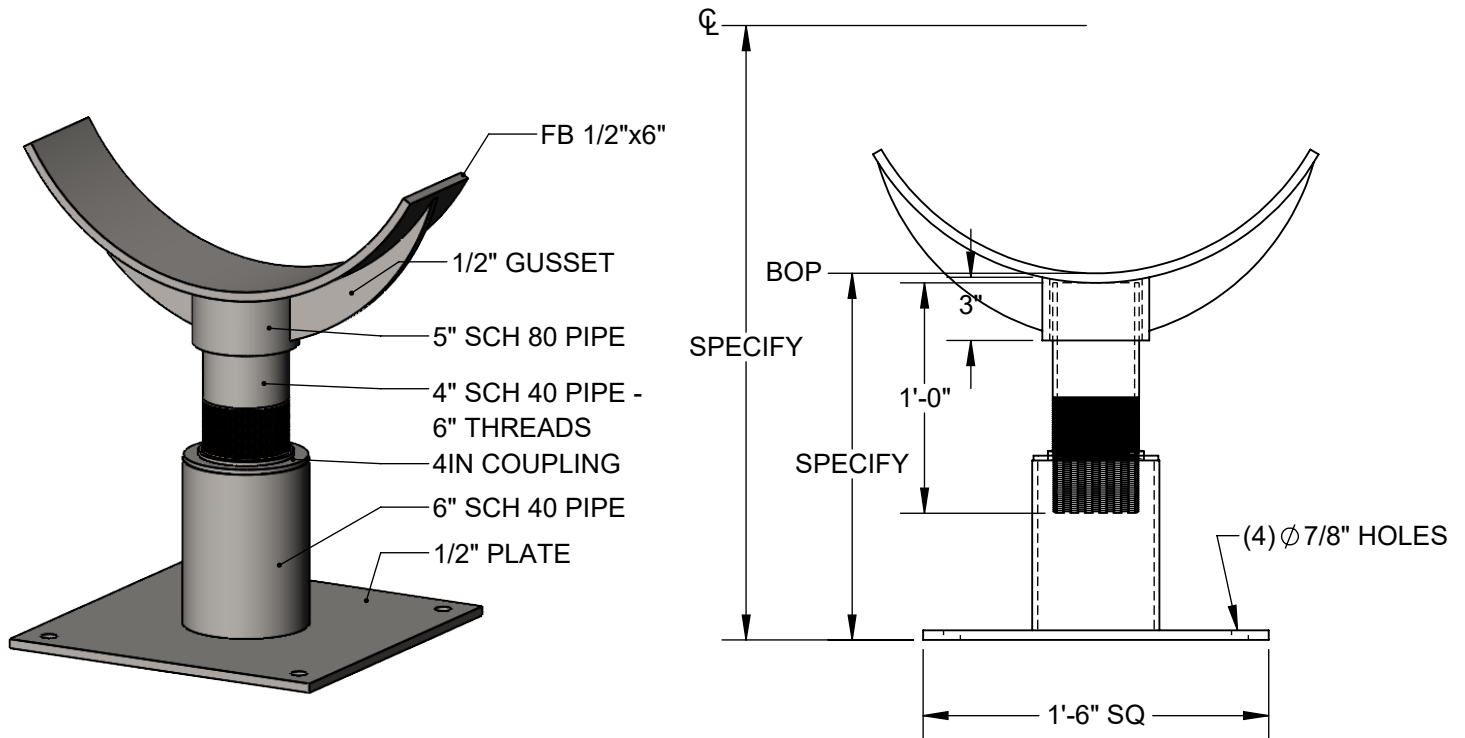




APS-SAD-E

ADJUSTABLE SADDLE SUPPORT FOR 18" - 36" PIPE



Size Range: 18" - 36" Pipe

Material: A36 Carbon Steel, 304 & 316 Stainless Steel

Finish: Bare, Epoxy Primed, Galvanized

Service: Provides horizontal support for pipe

Approvals: Complies with MSS SP-58 (Type 38)

Ordering: Specify Pipe Size and Type, Pipe Height to CL or BOP, Material/Finish.

Ordering Example: APS-SAD-E24-36CL-HDG