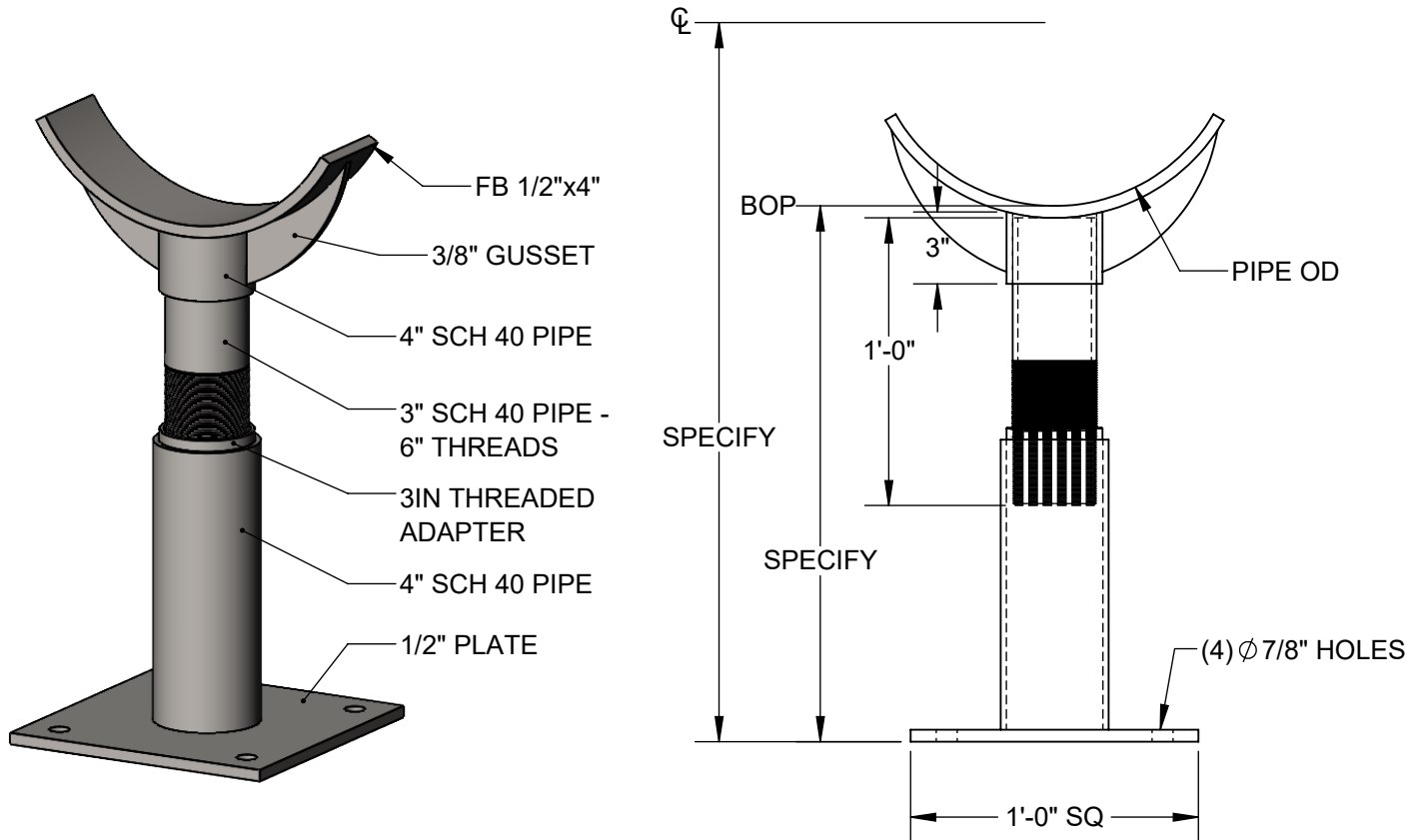




APS-SAD-D

ADJUSTABLE SADDLE SUPPORT FOR 14" - 16" PIPE



Size Range: 14" - 16" Pipe

Material: A36 Carbon Steel, 304 & 316 Stainless Steel

Finish: Bare, Epoxy Primed, Galvanized

Service: Provides horizontal support for a pipe

Approvals: Complies with MSS SP-58 (Type 38)

Ordering: Specify Pipe Size and Type or OD, Pipe Height to CL or BOP, Material/Finish.

Ordering Example: APS-SAD-D14DIP-32CL-HDG