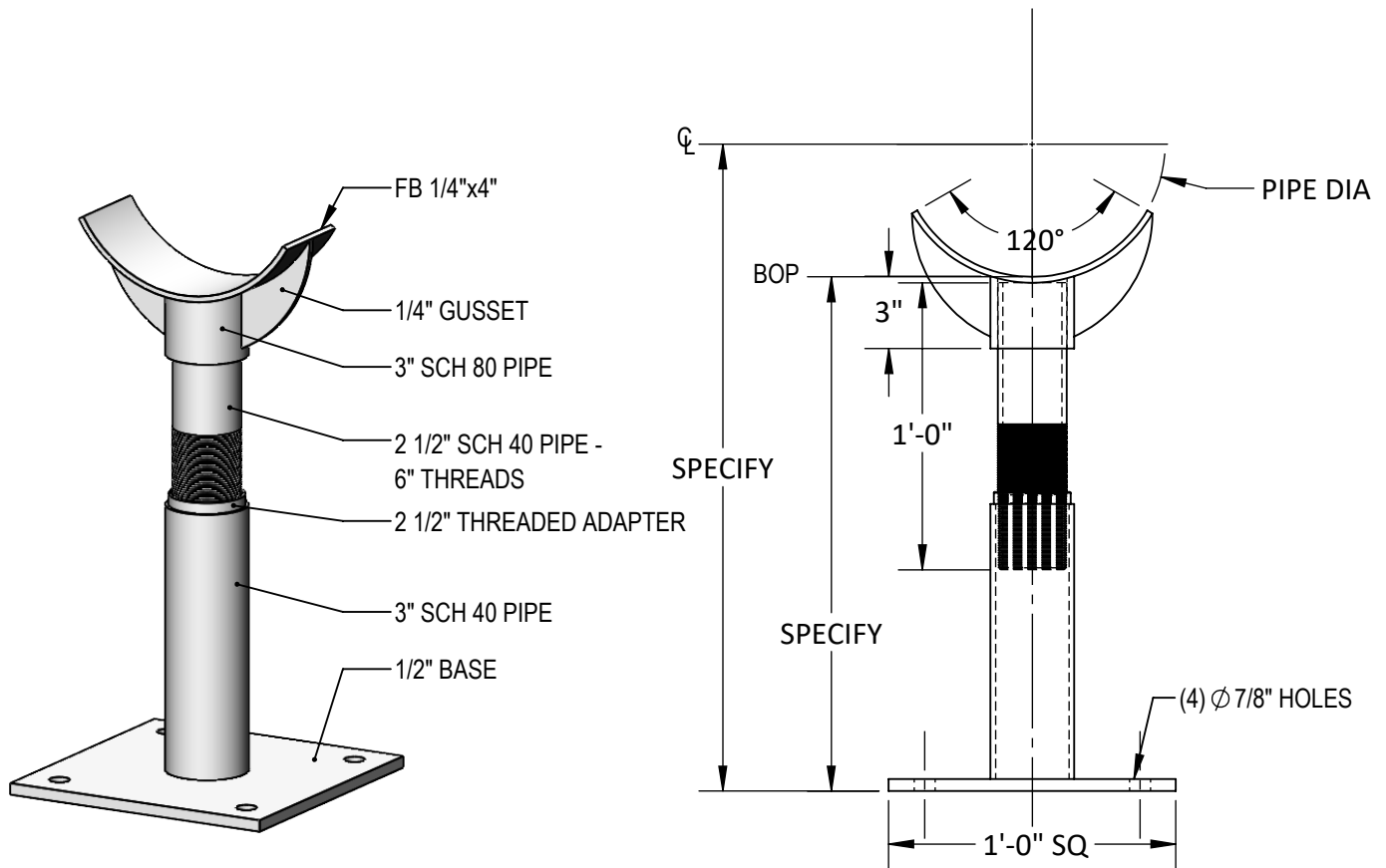




# APS-SAD-C

## ADJUSTABLE SADDLE SUPPORT FOR 6" - 12" PIPE



**Size Range:** 6" - 12" Pipe

**Material:** A36 Carbon Steel, 304 & 316 Stainless Steel

**Finish:** Bare, Epoxy Primed, Galvanized

**Service:** Provides horizontal support for pipe

**Approvals:** Complies with MSS SP-58 (Type 37)

**Ordering:** Specify Pipe Size and Type or OD, Pipe Height to CL or BOP, Material/Finish.

**Ordering Example:** *APS-SAD-B12DIP-22CL-316SS*