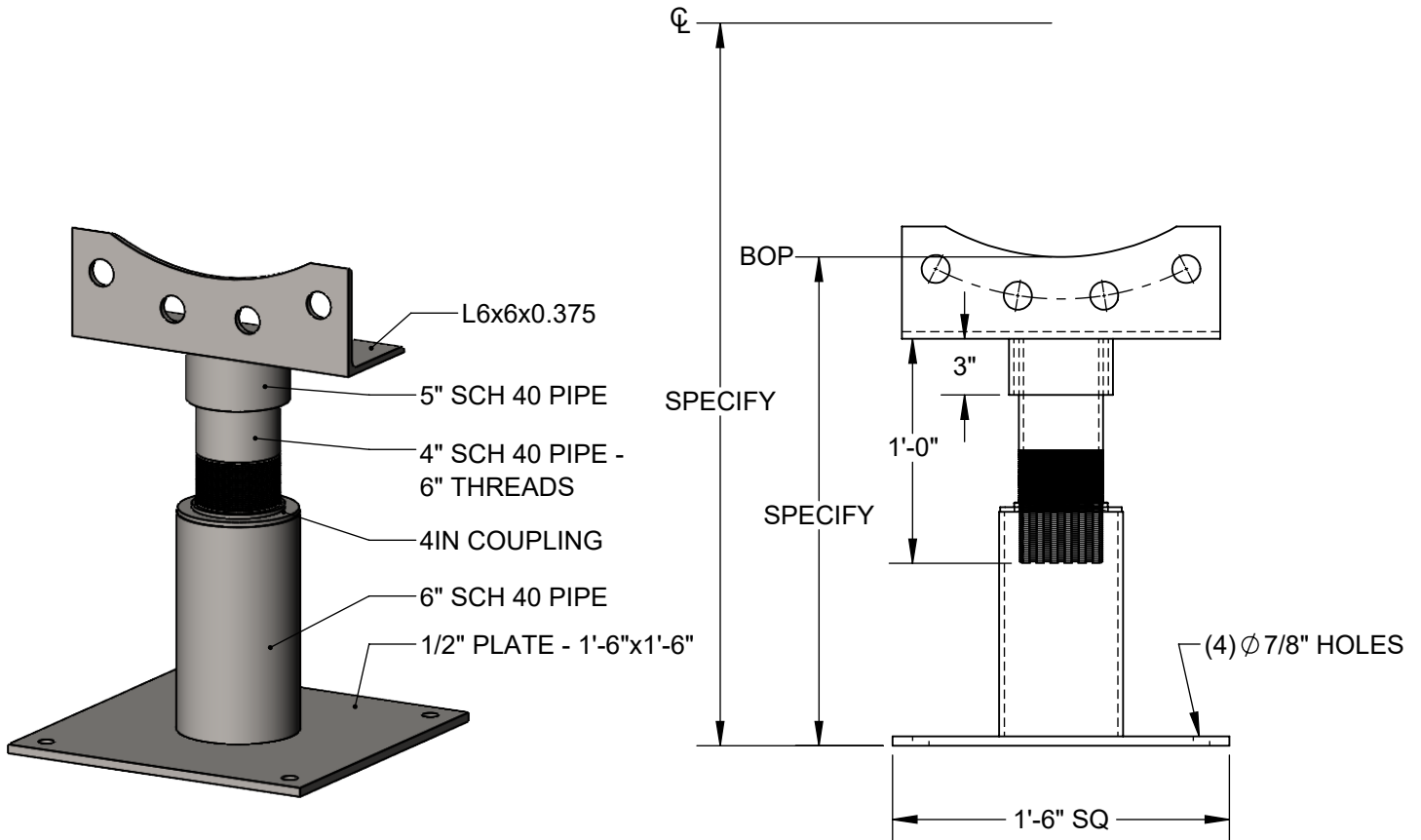




# APS-FLG-E

## ADJUSTABLE SUPPORT FOR 18" - 36" FLANGE



**Size Range:** 18" - 36" Flange

**Material:** A36 Carbon Steel, 304 & 316 Stainless Steel

**Finish:** Bare, Epoxy Primed, Galvanized

**Service:** Provides horizontal support for pipe, secured by flange bolts

**Approvals:** Complies with MSS SP-58 (Type 37)

**Ordering:** Specify Flange Size and Type, Pipe Height to CL or BOP, Material/Finish.

**Ordering Example:** APS-FLG-E24-36CL-HDG