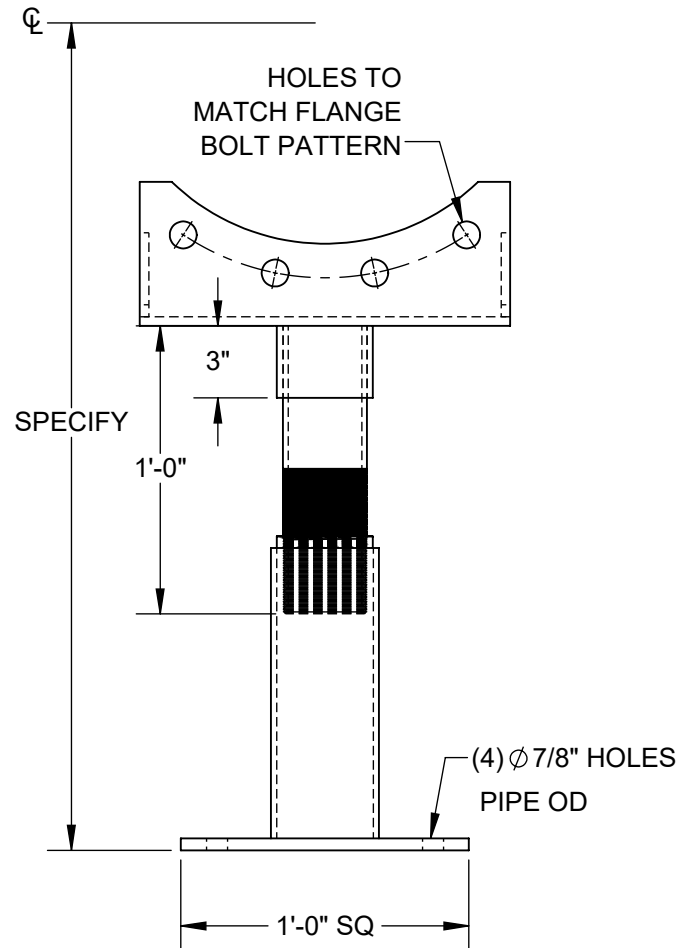
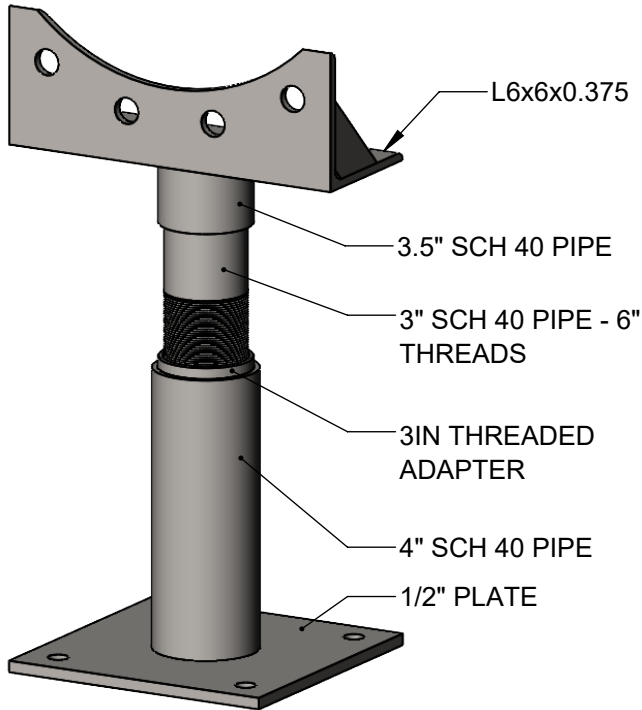




# APS-FLG-D

## ADJUSTABLE SUPPORT FOR 14" - 16" FLANGE



**Size Range:** 14" - 16" Flange

**Material:** A36 Carbon Steel, 304 & 316 Stainless Steel

**Finish:** Bare, Epoxy Primed, Galvanized

**Service:** Provides horizontal support for a Flange

**Approvals:** Complies with MSS SP-58 (Type 37)

**Ordering:** Specify Flange Size, Height to CL, and Material/Finish.

**Ordering Example:** APS-FLG-D14-32CL-HDG