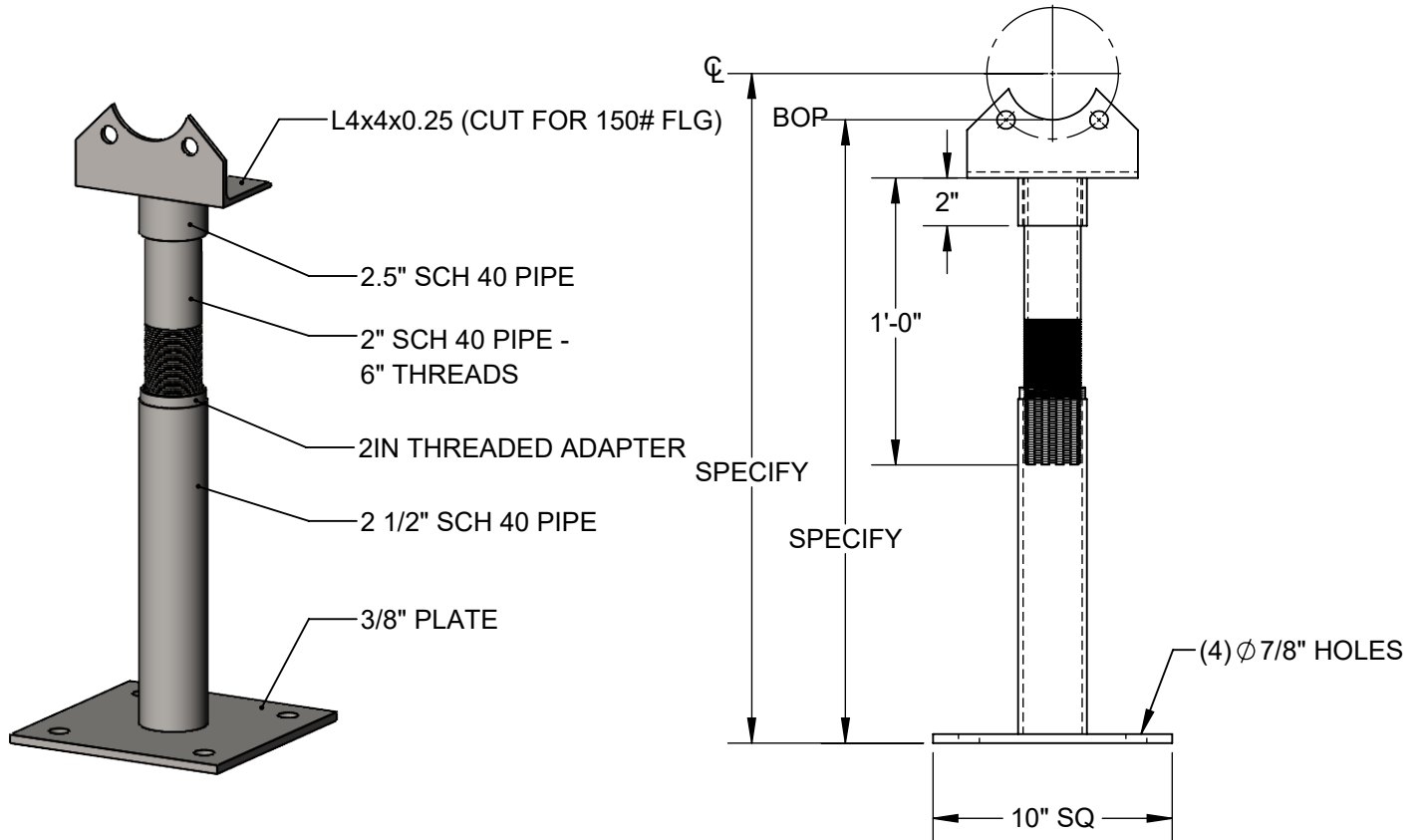




APS-FLG-B

ADJUSTABLE SUPPORT FOR 2 1/2" - 4" FLANGE



Size Range: 2 1/2" - 4" Flange

Material: A36 Carbon Steel, 304 & 316 Stainless Steel

Finish: Bare, Epoxy Primed, Galvanized

Service: Provides horizontal support for flanges, secured with bolts

Approvals: Complies with MSS SP-58 (Type 37)

Ordering: Specify Flange Size and Type, Height to CL or BOP, Material/Finish.

Ordering Example: *APS-FLG-B2.5-28CL-HDG*